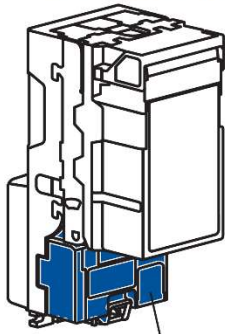


QUICK GUIDE (UP STACKER / 600 NOTES STANDARD)

◆ Regular Maintenance

• BV state (errors are indicated by the monitor lamps)

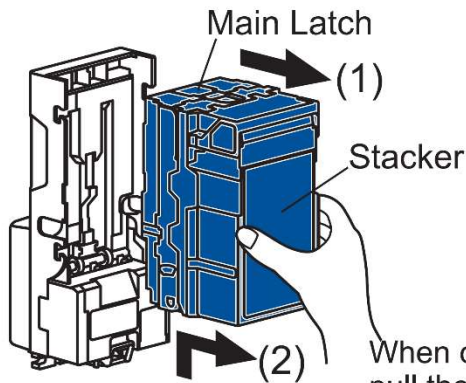


Monitor Lamps
DIP Switches

	Display	State	Remedy	
Red LED	1 flash	Stacker open	Close the stacker	
	2 flashes	Stacker full	Collect bills	
	3 flashes	Entry sensor error	Check bill path and remove foreign object	
	4 flashes	Validation sensor error		
	5 flashes	Path sensor error		
	6 flashes	Carrier mechanism error		
	Green LED	7 flashes	Stack mechanism error	Turn OFF/ON power
		8 flashes	Shutter mechanism error	
2 flashes		Dirt in the sensor detected Acceptance rate lowered	Clean validation sensors on bill path	

• Operational Guidance

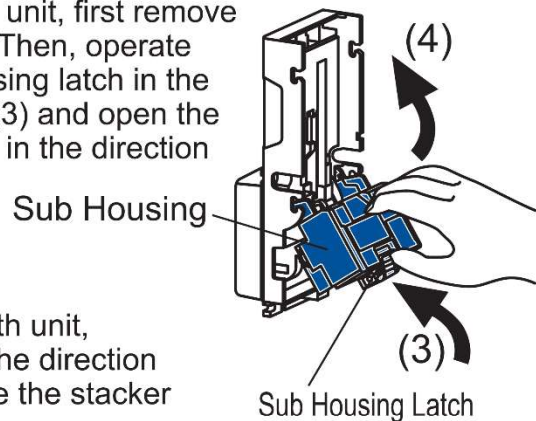
«How to remove the stacker»



When cleaning the path unit, pull the main latch in the direction of (1) and then remove the stacker in the direction of (2).

«How to open the sub housing»

When cleaning the entry unit or validation unit, first remove the stacker. Then, operate the sub housing latch in the direction of (3) and open the sub housing in the direction of (4).

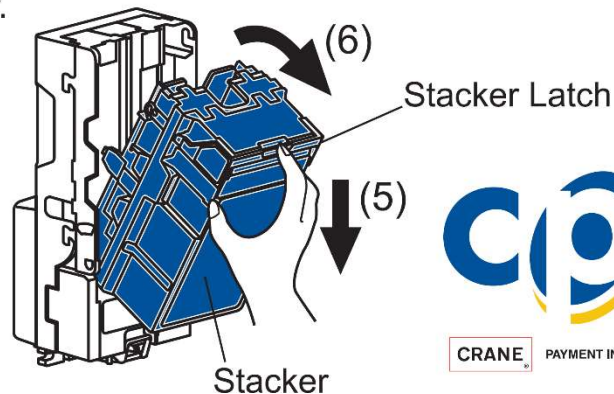


*If any bills or foreign object is stuck, remove it before cleaning.

*Wipe off the dirt using a cotton swab on the optical sensor and the soft cloth on the chute roller.

«How to collect bills»

Push down the stacker latch in the direction of (5) and open the stacker in the direction of (6) to take out the bills.



CRANE PAYMENT INNOVATIONS